

FIG. 1

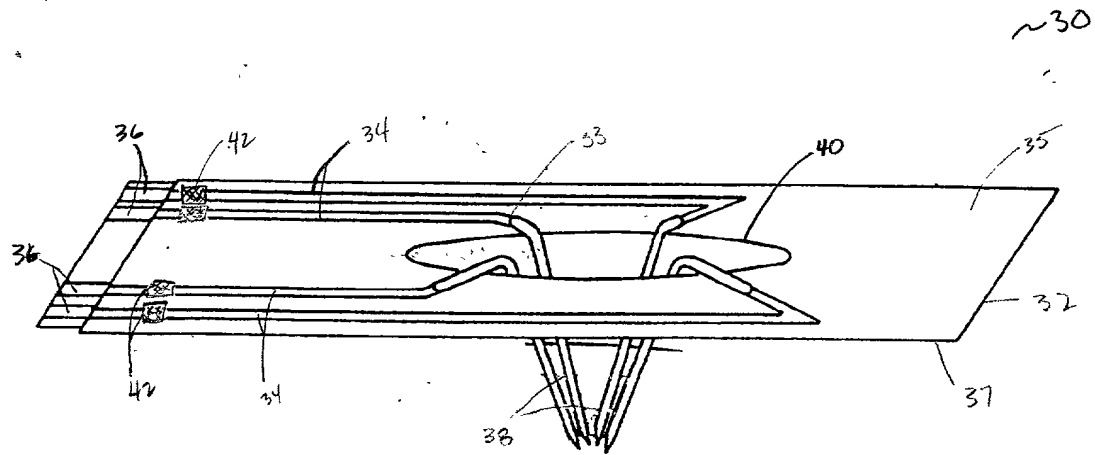


FIG 2

~30

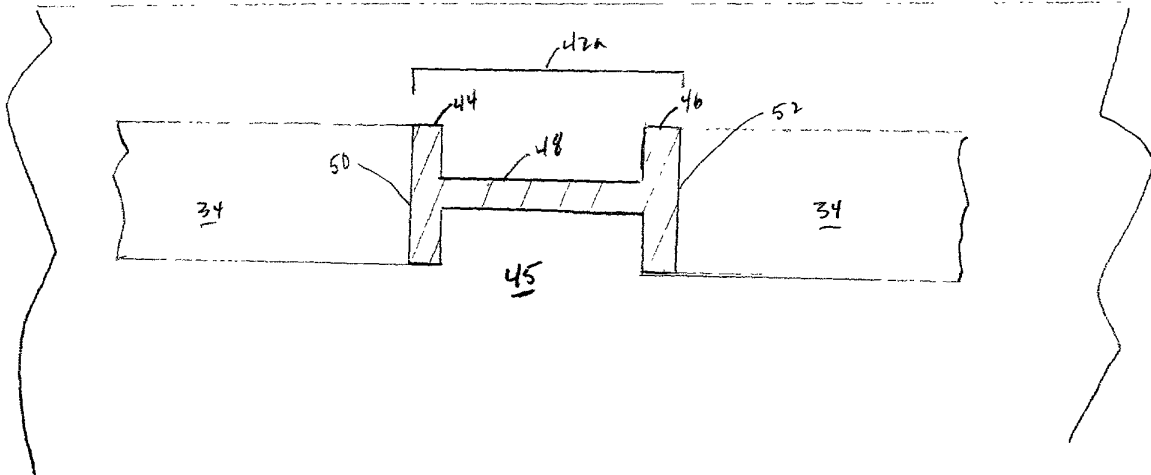


FIG 3

~30

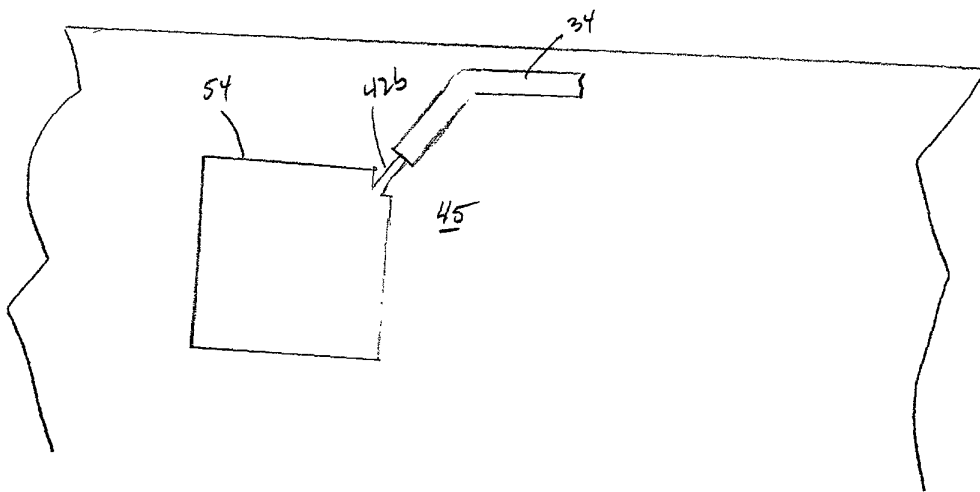


FIG 2

FIG 4A

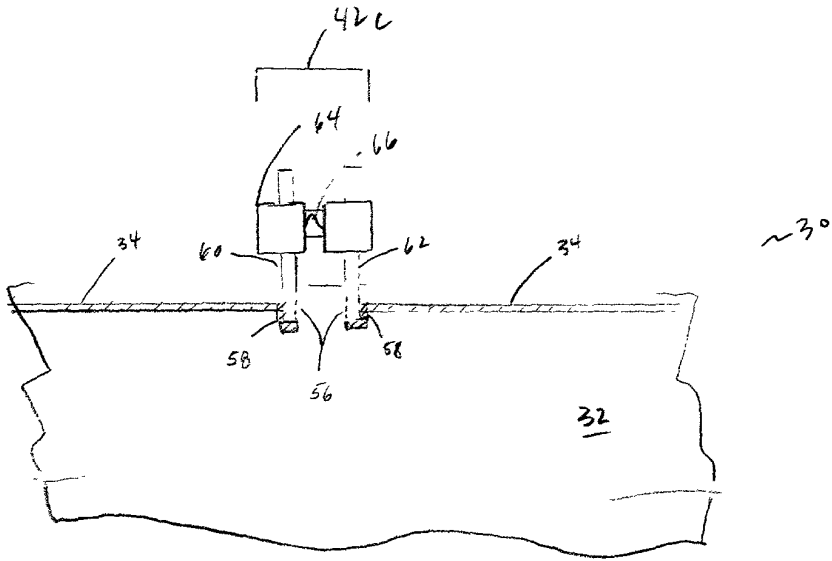


FIG 4B

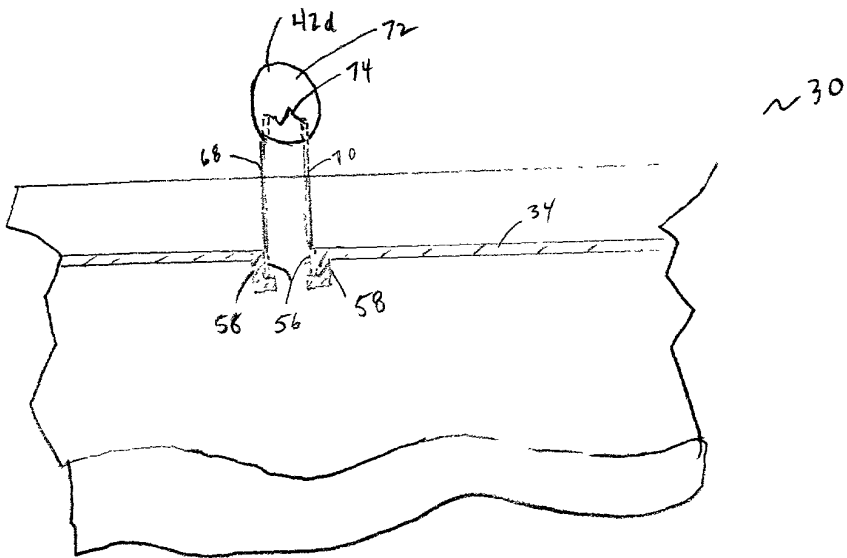
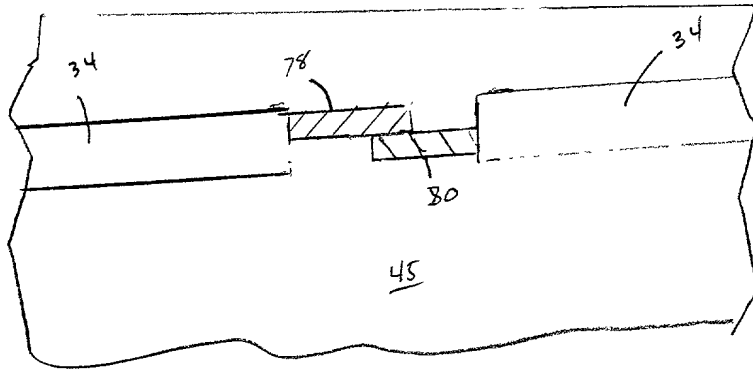


FIG. 5A

~ 30

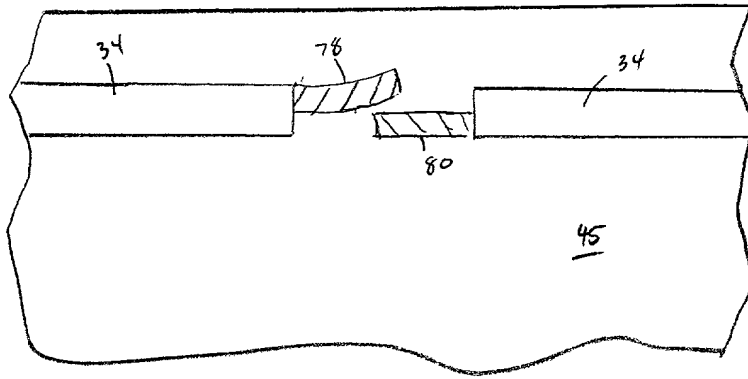


76 /

www.patent.com

FIG 5b

~ 30



76 —

Patent Pending

FIG 6A

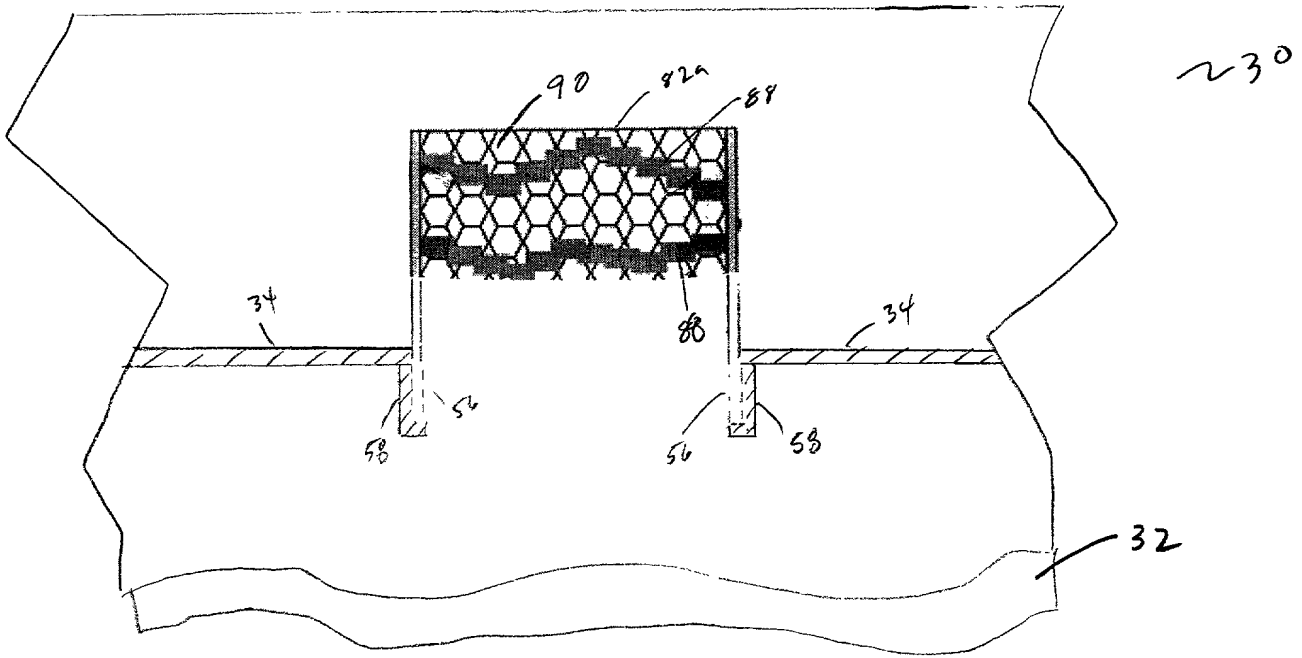


FIG 6B

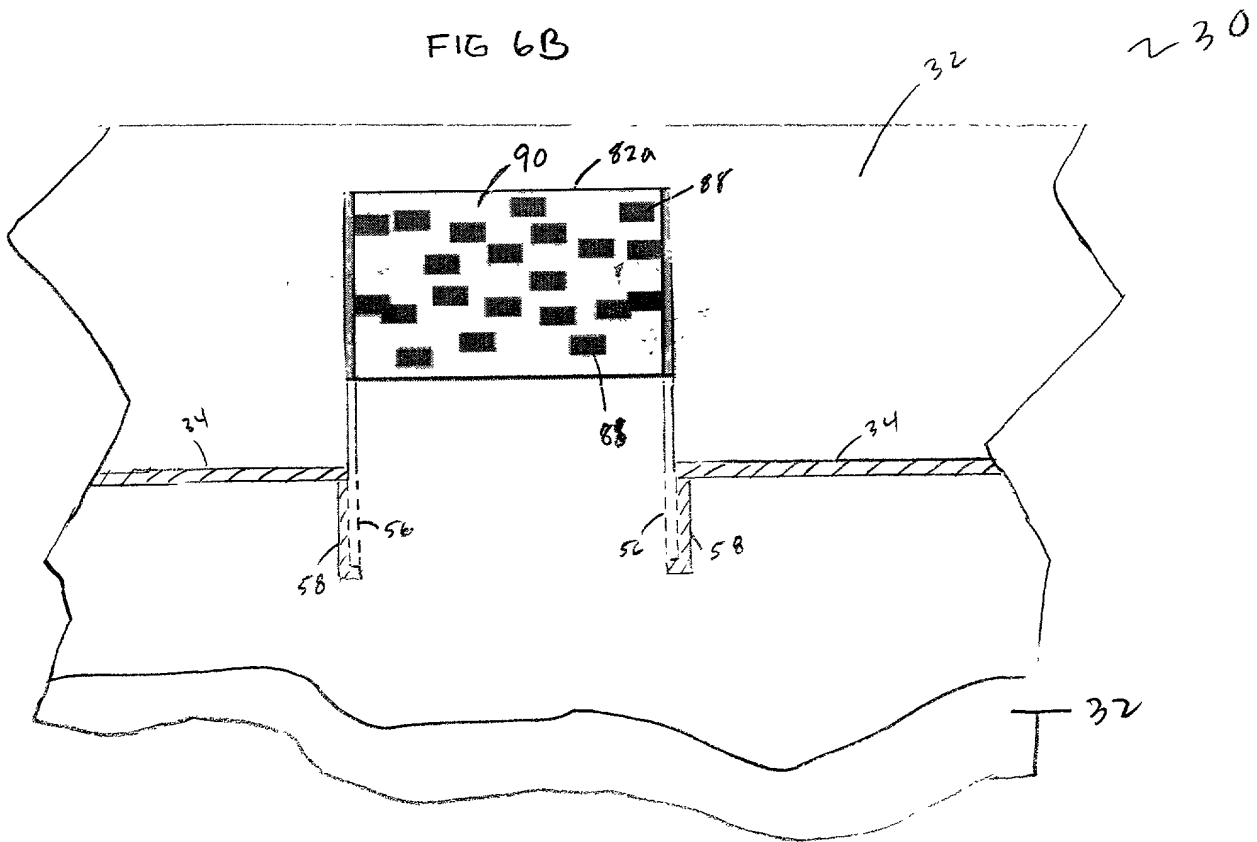


FIG 6A

FIG. 6C

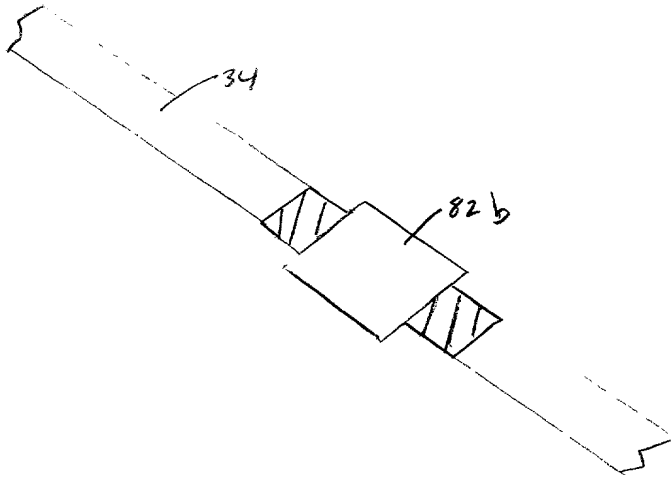
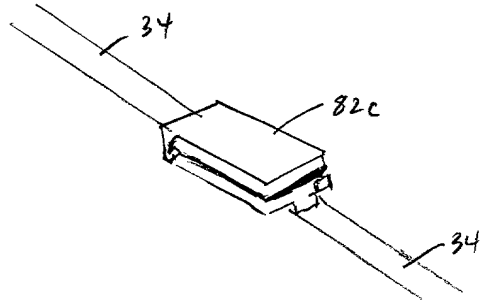


FIG. 6C

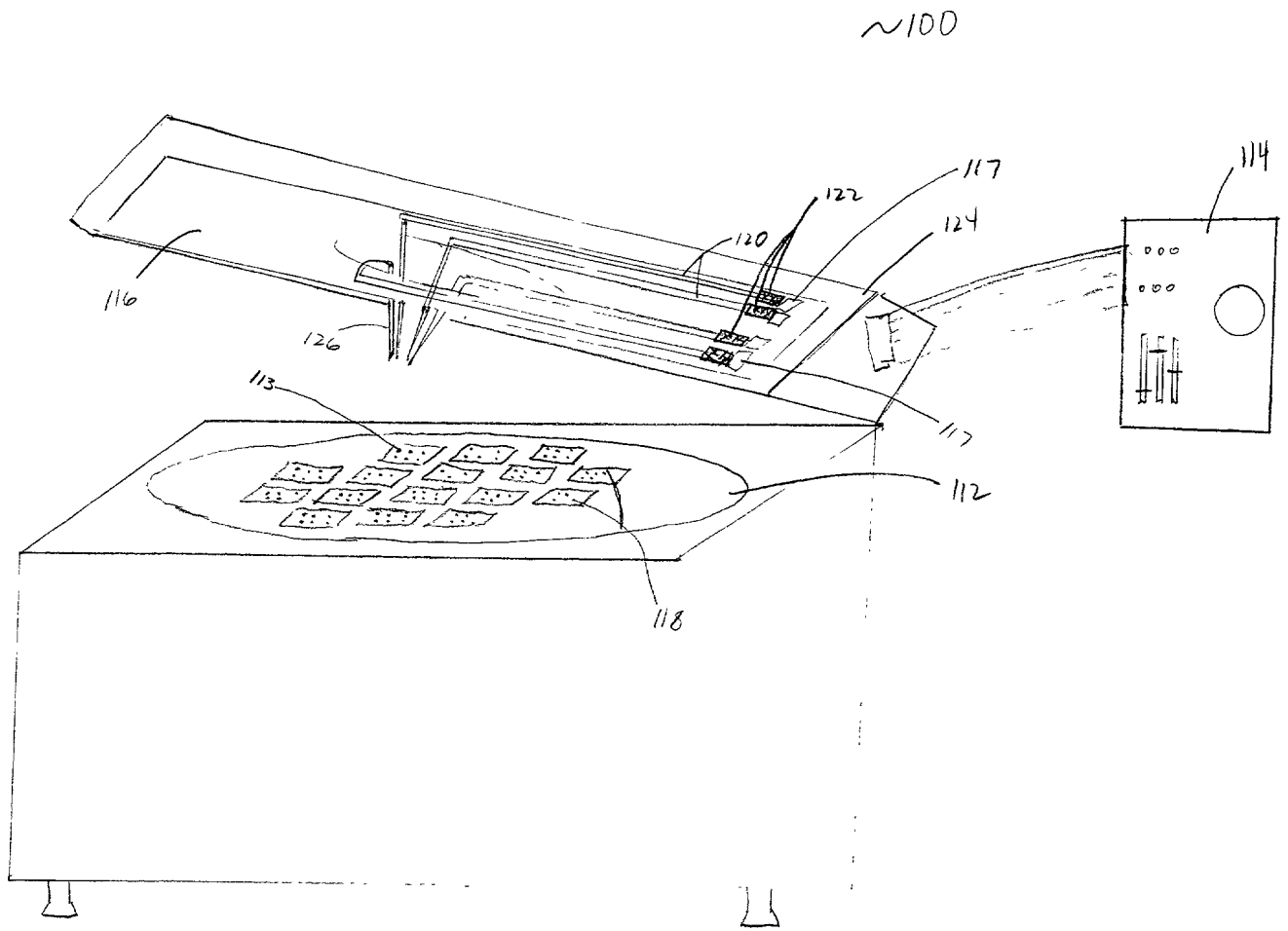
FIG 6D



Patent Office

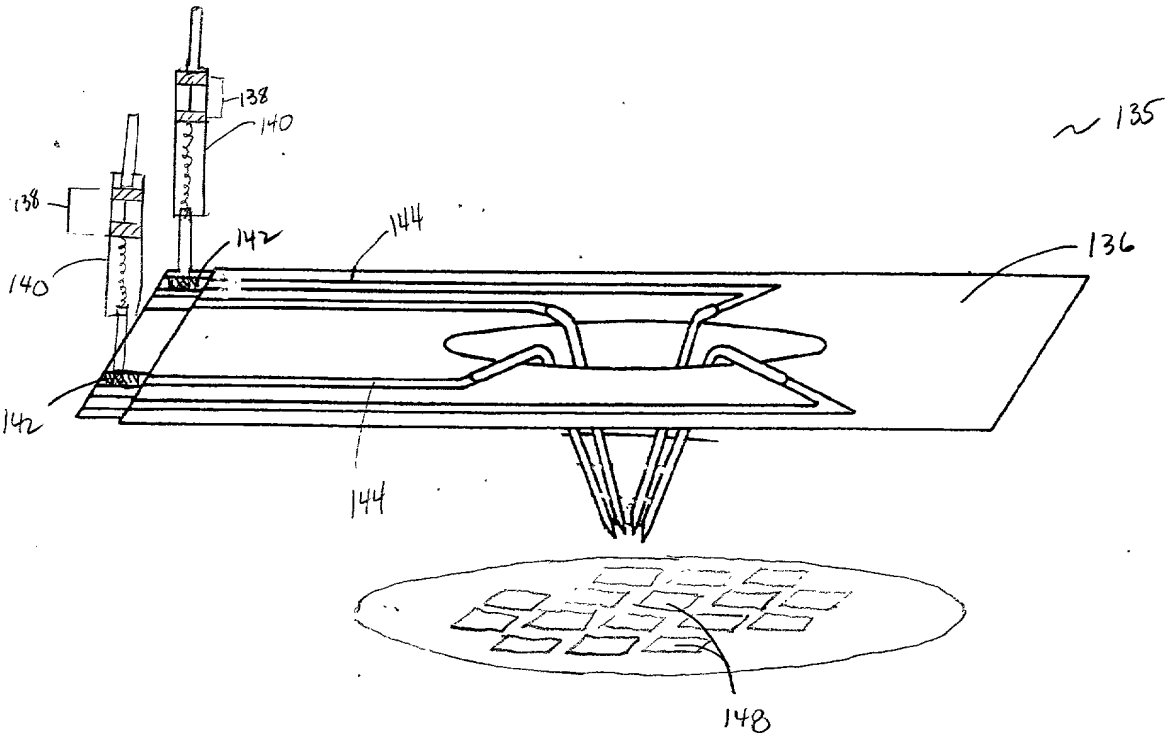


FIG 7



Patent Application No. 2014/0100000

FIG 8



FOR PUBLICATION

FIG. 9

~150

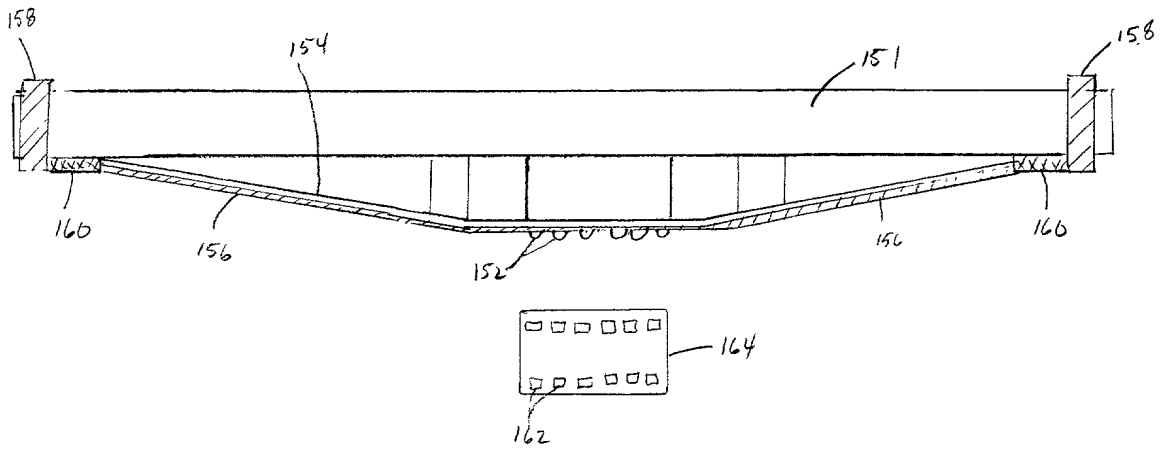


FIG. 9